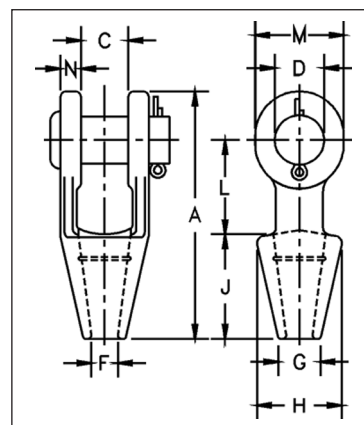


Open Spelter Sockets

G-416 / S-416



- Forged Steel Sockets through 38mm, cast alloy steel 40mm through 102mm.
- Spelter socket terminations have an efficiency rating of 100%, based on the catalog strength of wire rope. Ratings are based on recommended use with 6 x 7, 6 x 19, or 6 x 36, IPS or XIP (EIP), XXIP (EEIP), RRL, FC, or IWRC wire rope. Strand constructed with minimal number of wires (e.g. 1 x 7) requires special consideration that socket basket be five (5) times the strand diameter or fifty (50) times the wire diameter, whichever is the greater.



Open Grooved Sockets meet the performance requirements of Federal Specification RR-S-550D, Type A, except for those provisions required of the contractor. For additional information, see page 450.

NOTICE: All cast steel sockets 40mm and larger are magnetic particle inspected and ultrasonic inspected. Proof testing available on special order.

Drawing illustrates one groove used on sockets 6mm through 18mm. Sizes 20mm through 38mm use 2 grooves. Sizes 40mm and larger use 3 grooves.

G-416 / S-416 Open Spelter Sockets

Rope Dia.		Structural Strand Dia. (mm)	Ultimate Load (t)	Stock No.		Weight Each (kg)	Dimensions (mm)									
(mm)	(in.)			G-416 Galv.	S-416 S.C.		A	C	D	F	G	H	J	L	M	N
6-7	1/4	-	4.50	1039619	1039628	.50	116	19.1	17.5	9.65	17.5	39.6	57.0	39.6	33.3	9.1
8-10	5/16-3/8	-	12.0	1039637	1039646	.59	123	20.6	20.6	12.7	20.6	42.9	57.0	44.5	38.1	11.2
11-13	7/16-1/2	-	20.0	1039655	1039664	1.02	141	25.4	25.4	14.2	23.9	47.8	63.5	51.0	47.8	12.7
14-16	9/16-5/8	12-13	27.0	1039673	1039682	1.63	171	31.8	30.2	17.5	28.7	57.0	76.0	63.5	57.0	14.2
18	3/4	14-16	43.0	1039691	1039708	2.64	202	38.1	35.1	20.6	31.8	66.5	89.0	76.0	66.5	15.7
20-22	7/8	18-19	55.0	1039717	1039726	4.38	235	44.5	41.4	23.9	38.1	82.5	102	89.0	79.5	20.3
24-26	1	20-22	78.0	1039735	1039744	7.03	268	51.0	51.0	28.7	44.5	95.5	114	102	95.5	22.4
28-30	1-1/8	24-26	92.0	1039753	1039762	9.75	300	57.0	57.0	31.8	51.0	105	127	117	105	25.4
32-35	1-1/4 - 1-3/8	28	136	1039771	1039780	14.1	335	63.5	63.5	38.1	57.0	121	140	127	121	28.7
38	1-1/2	30-32	170	1039799	1039806	21.4	384	76.0	70.0	41.4	70.0	133	152	152	137	30.2
* 40-42	* 1-5/8	33-35	188	1039815	1039824	24.9	413	76.0	76.0	44.5	76.0	140	165	165	146	33.3
* 44-48	* 1-3/4 - 1-7/8	36-40	268	1039833	1039842	37.2	464	89.0	89.0	51.0	79.5	162	191	178	165	39.6
* 50-54	* 2 - 2-1/8	42-45	291	1039851	1039860	59	546	102	95.5	57.0	95.5	187	216	229	178	46.0
* 56-60	* 2-1/4 - 2-3/8	46-48	360	1039879	1039888	76	597	114	108	63.5	102	210	229	254	197	54.0
* 64-67	* 2-1/2 - 2-5/8	50-54	424	1041633	1041642	114	648	127	121	73.0	114	235	248	274	216	60.5
* 70-73	* 2-3/4 - 2-7/8	56-62	511	1041651	1041660	143	692	133	127	79.0	124	267	279	279	229	73.0
* 75-80	* 3 - 3-1/8	64-67	563	1041679	1041688	172	737	146	133	86.0	133	282	305	287	241	76.0
* 82-86	* 3-1/4 - 3-3/8	70-73	722	1041697	1041704	197	784	159	140	92.0	146	302	330	300	254	79.0
* 88-92	* 3-1/2 - 3-5/8	76-80	779	1041713	1041722	255	845	171	152	98.5	165	314	356	318	274	82.5
* 94-102	* 3-3/4 - 4	-	875	1041731	1041740	355	921	191	178	108	184	346	381	343	318	89.0

* Cast Alloy Steel.

NOTE: Available with bolt nut and cotter. Contact Crosby for more information.