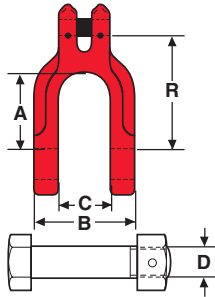


Crosby® Kuplex®

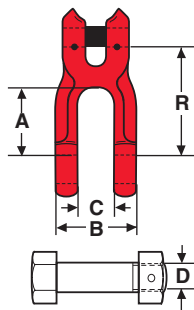
Components



Crosby KUPLEX Shackle KDL

Has a wide jaw and attaches directly to the chain. Complete with bolt, hexagon nut and cotter pin.

Crosby Stock No.	Reference	WLL (t)		Dimensions (mm)					Weight (kg)
		8	8+10	A	B	C	R	D	
2781314	KDL7N	1.5	2	48	65	35	71	19	.71
2781323	KDL10N	3.2	4	74	83	44	104	22	1.36
2781332	KDL13N	5.3	6.7	98	109	57	136	29	3.02
2781341	KDL16N	8	10	122	140	73	173	35	6.18
2781350	KDL19N	11.2	14	145	162	86	203	44	10.62



Crosby KUPLEX Narrow Jaw Shackle KDN

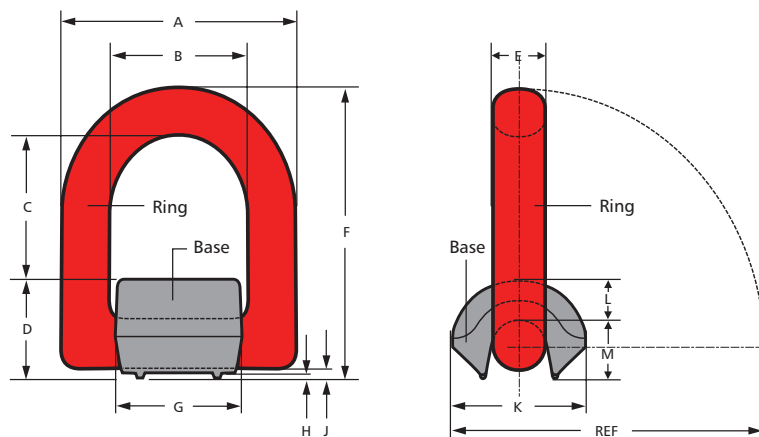
Similar to KDL series, but for applications calling for a narrower jaw.

Crosby Stock No.	Reference	WLL (t)		Dimensions (mm)					Weight (kg)
		8	8+10	A	B	C	R	D	
2781369	KDN7N	1.5	2	36	42	20	57	14	.26
2781378	KDN10N	3.2	4	53	58	28	83	20	.85
2781387	KDN13N	5.3	6.7	72	74	35	106	24	1.68
2781396	KDN16N	8	10	83	90	44	127	30	3.14



Crosby KUPLEX KWLR Weldable Lifting Ring

A weldable lifting ring, fully compatible with the relevant sized Kuplex 8+10 components.



Crosby Stock No.	Reference	Ring					Base mm								Weight (kg) (Ring + Base)	To Suit Normal Chain Size (mm)
		A	B	C	R	D	F	G	H	J	K	L	M	Ref		
2781403	KWLR7 (2t)	60	37	39.5	26	13	77	33	2	4	32	10	16	83	.31	7
2781412	KWLR10 (4t)	87	51	51	35	18	103	46	2	4	45	12	22	113	.83	10
2781430	KWLR13 (6.7t)	109	67	74	44	23	139	60	2	4	60	18	26	154	1.82	13
2781449	KWLR16 (10t)	117	67	68	54	27	147	60	2	4	75	23.5	30	167	2.75	16
2781458	KWLR23 (21t)	168	100	103	70	36	207	90	3	7	94	29	41	230	6.95	23

Welding advice leaflets are available on request.